



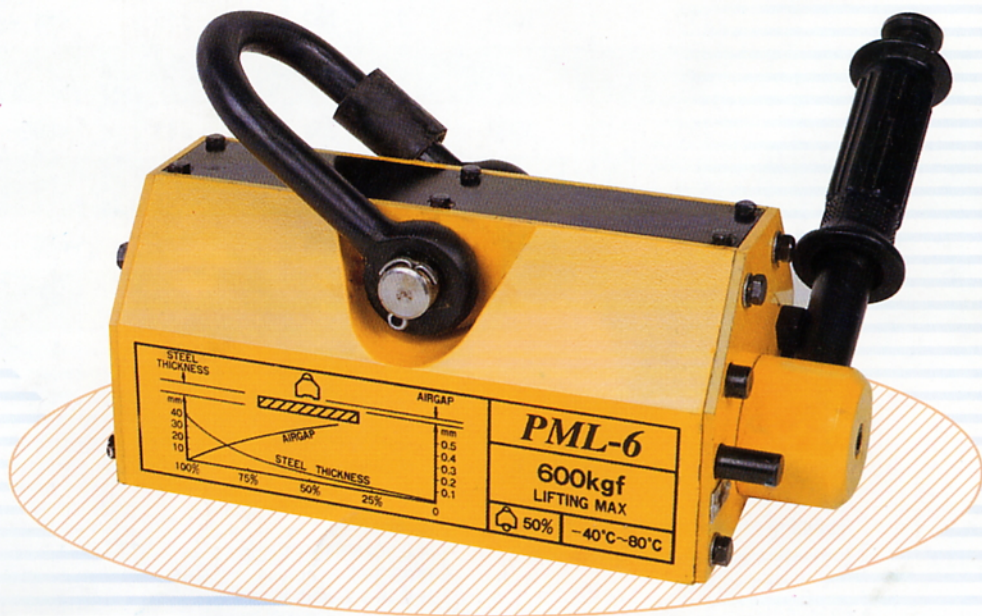
Permanent magnetics

PMQZQ 永磁起重器

Permanent Magnet Lifter

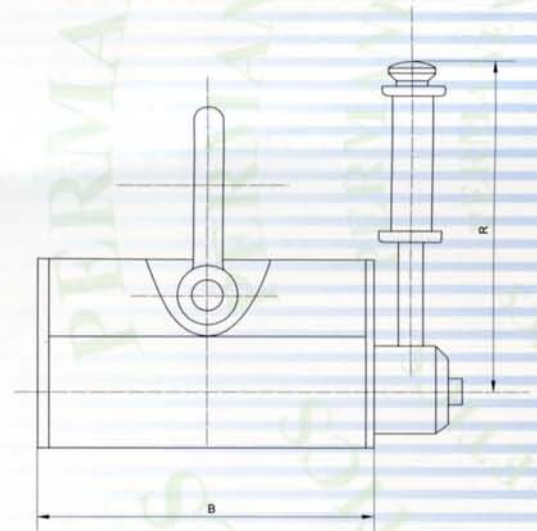
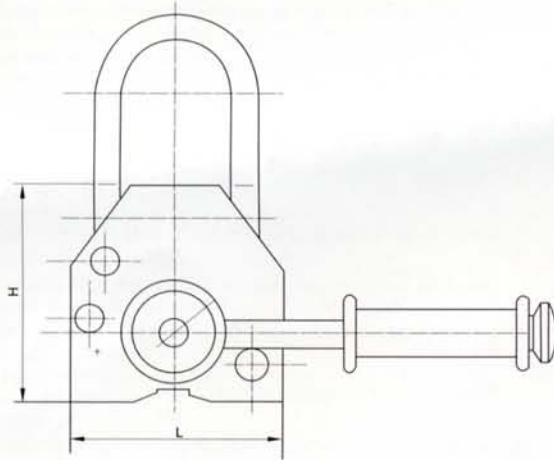
- ◆ 永磁起重器是由强磁钕铁硼磁性材料组成磁路系统，产生强磁，通过手柄的旋向，控制磁路关闭，达到工作目的。永磁起重器采用磁做动力，工作长久不变。
- ◆ 起重器主要在吊装过程中，对块状、园柱形及其它部件导磁性材料工件的联接，对装卸、搬运十分方便，是工厂、码头、仓库、交通运输各行业的最理想吊装工具。
- ◆ 结构特点：结构轻巧，操作方便，吸附力强，安全可靠。

- ★ Principles: Model PMQZQ Permanent Magnet Lifter has strong magnetic path produced by Nd-Fe-B magnetic materials. On and Off of the magnetic path is controlled by turning the manual handle. PMQZQ permanent magnetic lifters have magnet as power, and its lifting power will never weaken.
- ★ Application: In loading and unloading, the lifter can hoist iron/steel blocks, cylinders and others onto magnetic materials for linkage or connection. It is very convenient for application in loading, unloading, and moving. PMQZQ permanent magnetic lifters are the most ideal lifting facility for factories, docks, warehouses and transportation.
- ★ Features: Lightly and ingeniously structured, easy for application, strong magnetic Attraction power and safe in handling.



Model PMQZQ Permanent Magnet Lifter:

外形尺寸 Overall dimension



型号 Model	额定起重力 Rated lifting strength (kgf)	圆柱形起重力 Cylindrical lifting strength (kgf)	最大拉脱力 Max pull-off strength (kgf)	L	B	H	R	使用温度 Operation temperature (°C)	自重 Dead weight (kg)
PMQZQ100	100	50	350	62	92	67	126	<80	3
PMQZQ300	300	150	1050	92	162	91	155	<80	10
PMQZQ600	600	300	2100	122	232	117	196	<80	24
PMQZQ1000	1000	500	3500	176	258	163	285	<80	50
PMQZQ2000	2000	1000	7000	234	378	212	426	<80	125
PMQZQ3000	3000	1500	10500	286	458	261	521	<80	220
PMQZQ6000	6000	3000	21000	430	600	355	180	<80	420