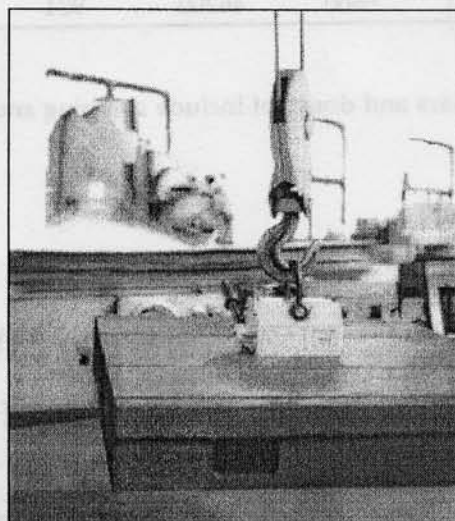
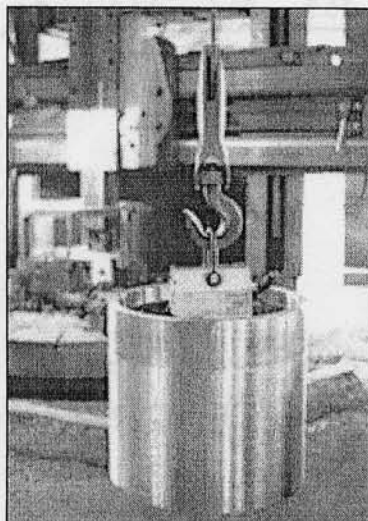
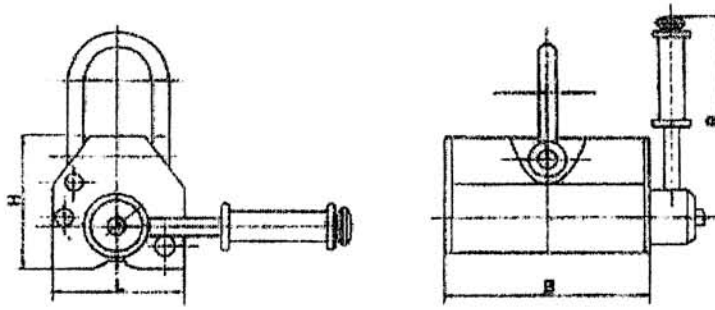


Principles: Model PMQZQ Permanent Magnet Lifter has strong magnetic path produced by Nd-Fe-B magnetic materials. On and Off of the magnetic path is controlled by turning the manual handle. PMQZQ permanent magnetic lifters have magnet as power, and its lifting power will never weaken.

Application: In loading and unloading, the lifter can hoist iron/steel blocks, cylinders and others onto magnetic materials for linkage or connection. It is very convenient for application in loading, unloading, and moving. PMQZQ permanent magnetic lifters are the most ideal lifting facility for factories, docks, warehouses and transportation.

Features: Lightly and ingeniously structured, easy for application, strong magnetic Attraction power and safe in handling.





Model	Rated lifting strength (kgf)	Cylindrical lifting strength (kgf)	Max pull-off strength (kgf)	L	B	H	R	Operation temperature (°E)	Dead weight (kg)
PMQZQ100	100	50	350	62	92	67	126	<80	3
PMQZQ300	300	150	1050	92	162	91	155	<80	10
PMQZQ600	600	300	2100	122	232	117	196	<80	24
PMQZQ1000	1000	500	3500	176	258	163	285	<80	50
PMQZQ2000	2000	1000	7000	234	378	212	426	<80	125
PMQZQ3000	3000	1500	10500	286	458	261	521	<80	220
PMQZQ6000	6000	3000	21000	430	600	355	180	<80	420

MODEL	Lift (lb)	Cyl (lb)	Max (lb)	Weight (lb)	L	B	H	R	Price*
PMQZQ100	220	110	770	7	2.4	3.6	2.6	5.0	\$ 189.
PMQZQ300	660	330	2310	22	3.6	6.4	3.6	6.1	\$ 467.
PMQZQ600	1320	660	4620	53	4.8	9.1	4.6	7.7	\$ 649.
PMQZQ1000	2200	1100	7700	110	6.9	10.1	6.4	11.2	\$ 1,175.
PMQZQ2000	4400	2200	15400	275	9.2	14.9	8.3	16.8	\$ 2,565.
PMQZQ3000	6600	3300	23100	484	11.2	18.0	10.3	20.5	\$ 5,050.
PMQZQ6000	13200	6600	46200	924	16.9	23.6	14.0	7.1	\$ 10,950.

* Pricing is in US Dollars and does not include shipping and handling.

NORTHWEST MAGNET, INC.

508 N. Tillamook Street Portland, OR 97227

Phone (503) 282-1441

Fax (503) 282-5858

www.northwestmagnet.com